

**SEPTIC GENERAL NOTES**

1. ALL WORK AND MATERIAL (SEPTIC TANK, DISTRIBUTION BOX, PIPE, ETC.) SHALL CONFORM TO THE CONNECTICUT PUBLIC HEALTH CODE ON-SITE SEWAGE DISPOSAL REGULATIONS AND TECHNICAL STANDARDS FOR SUBSURFACE SEWAGE DISPOSAL SYSTEMS, AS REVISED.
2. PROPOSED SEPTIC SYSTEMS SHALL BE STAKED IN THE FIELD BY A LAND SURVEYOR LICENSED IN THE STATE OF CONNECTICUT. A BENCHMARK SHALL BE SET WITHIN 10'-15' OF THE PROPOSED SEPTIC SYSTEM PRIOR TO CONSTRUCTION.
3. SEWER LINE FROM FOUNDATION WALL TO SEPTIC TANK SHALL BE 4" SCHEDULE 40 PVC - ASTM D 1785 AND JOINTS PER HEALTH DEPT. CODE.
4. PIPE FROM SEPTIC TANK TO DISTRIBUTION LINES SHALL BE 4" SOLID PVC CONFORMING TO ASTM D-3034 AND SDR-35.
5. LEACHING SYSTEM ROWS SHALL BE SET LEVEL FOR ENTIRE LENGTH AND HAVE A CENTER TO CENTER SPACING AS CALLED FOR IN THE CONNECTICUT PUBLIC HEALTH CODE.
6. THERE ARE PRESENTLY NO KNOWN WATER WELLS WITHIN 75' OF THE PROPOSED SEPTIC SYSTEMS.
7. PROPOSED SEPTIC AREAS SHALL BE CLEARED AND GRUBBED. ALL TOPSOIL IN THE AREA SHALL BE STRIPPED AND STOCKPILED FOR FUTURE USE.
8. ALL FILL MATERIAL SHALL BE CLEAN EARTH FREE OF STUMPS, ORGANICS, CONSTRUCTION DEBRIS AND TOPSOIL.
9. TOPSOIL SHALL BE RE-APPLIED OVER ALL FILL AREAS AND ALL DISTURBED AREAS IN ACCORDANCE WITH THE SLOPE STABILIZATION DETAILS.

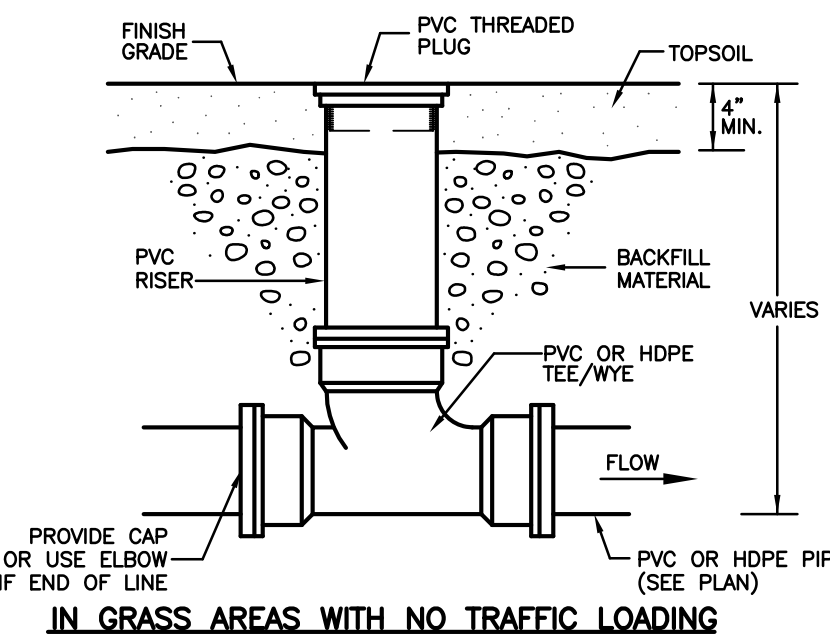
**SELECT FILL SPECIFICATION**

SELECT FILL PLACED WITHIN AND ADJACENT TO LEACHING SYSTEM AREAS SHALL BE CLEAN MATERIAL COMPRISED OF SAND, OR SAND AND GRAVEL, FREE FROM ORGANIC MATTER AND FOREIGN SUBSTANCES. THE SELECT FILL SHALL MEET THE FOLLOWING REQUIREMENTS UNLESS OTHERWISE APPROVED BY THE DESIGN P.E. SELECT FILL EXCEEDING 6 PERCENT PASSING THE #200 SIEVE BASED ON WET SIEVE ANALYSIS CANNOT BE APPROVED BY THE DESIGN P.E.

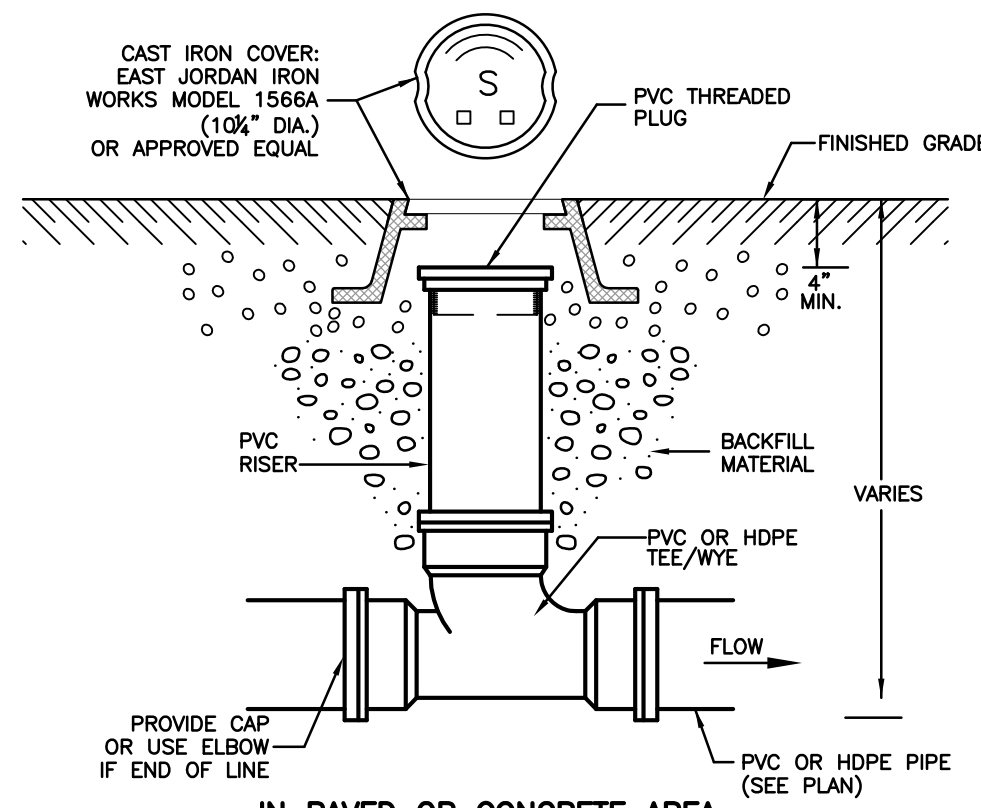
1. THE SELECT FILL SHALL NOT CONTAIN ANY MATERIAL LARGER THAN THE THREE (3) INCH SIEVE.
2. UP TO 45% OF THE DRY WEIGHT OF THE REPRESENTATIVE SAMPLE MAY BE RETAINED (GRAVEL PORTION) ON THE #4 SIEVE.
3. THE MATERIAL THAT PASSES THE #4 SIEVE IS THEN REWEIGHED AND THE SIEVE ANALYSIS STARTED.
4. THE REMAINING SAMPLE SHALL MEET THE FOLLOWING GRADATION CRITERIA

SIEVE SIZE	PERCENT PASSING WET SIEVE	PERCENT PASSING DRY SIEVE
#4	100	100
#10	70-100	70-100
#40	10-50*	10-75
#100	0-20	0-5
#200	0-5	0-2.5

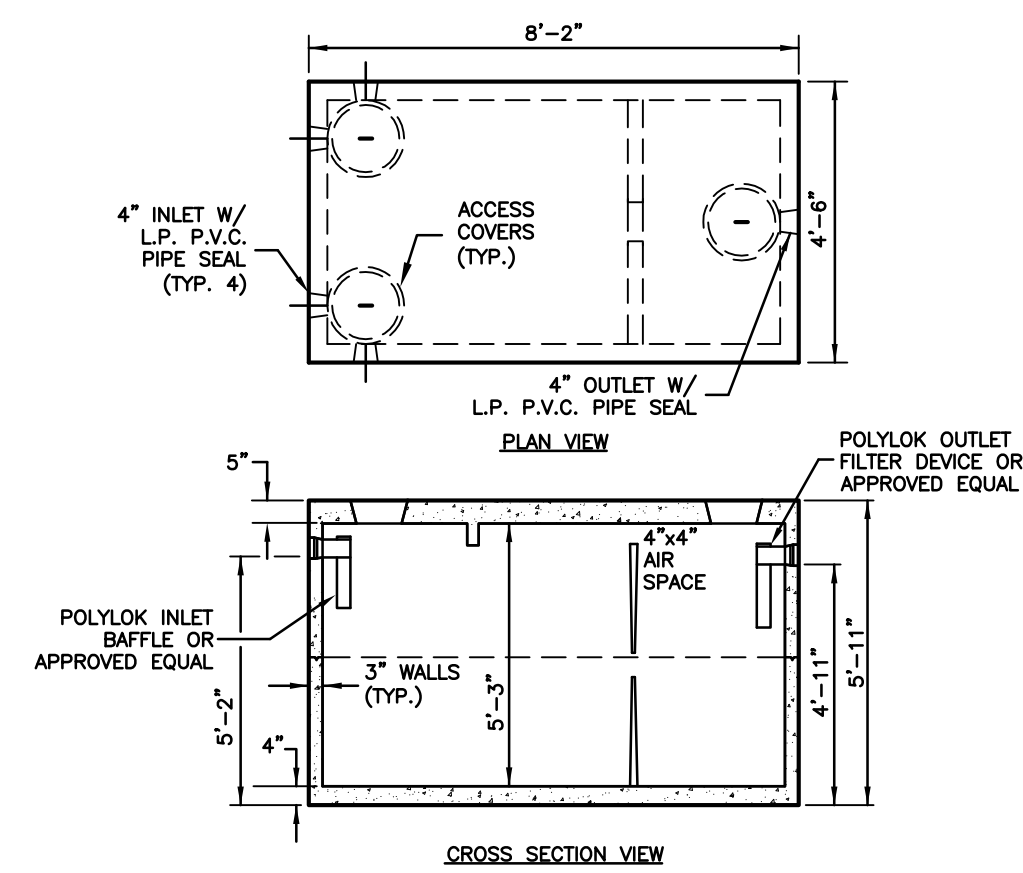
\* PERCENT PASSING THE #40 SIEVE CAN BE INCREASED TO NO GREATER THAN 75 IF THE PERCENT PASSING THE #100 SIEVE DOES NOT EXCEED 10 AND THE #200 SIEVE DOES NOT EXCEED 5.



**IN GRASS AREAS WITH NO TRAFFIC LOADING**

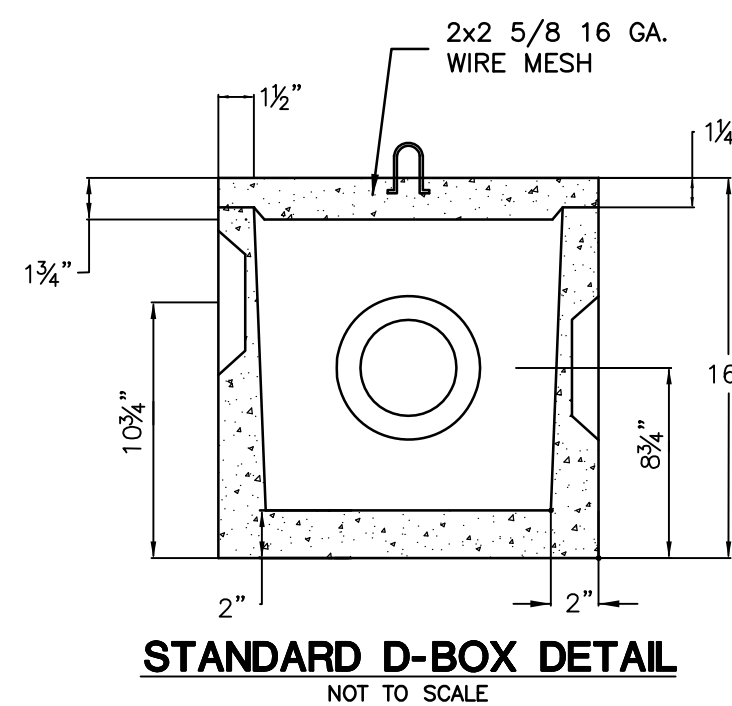


**IN PAVED OR CONCRETE AREA  
TYPICAL CLEAN-OUT DETAIL**  
NOT TO SCALE

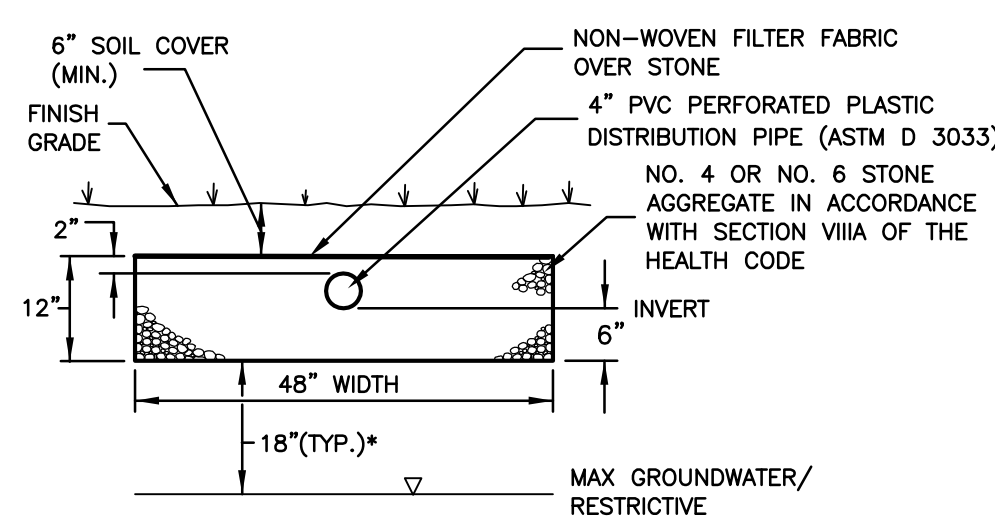


1. DIMENSIONS MAY VARY DEPENDING ON TANK MANUFACTURER (UNITS CONCRETE SHOWN)
2. CONCRETE - 4,000 P.S.I. AT 28 DAYS
3. STEEL REINFORCEMENT- ASTM A-615 GR. 60, A-185 OR A-497, 1\"/>

**1,000 GALLON REGULAR DUTY SEPTIC TANK DETAIL**  
NOT TO SCALE

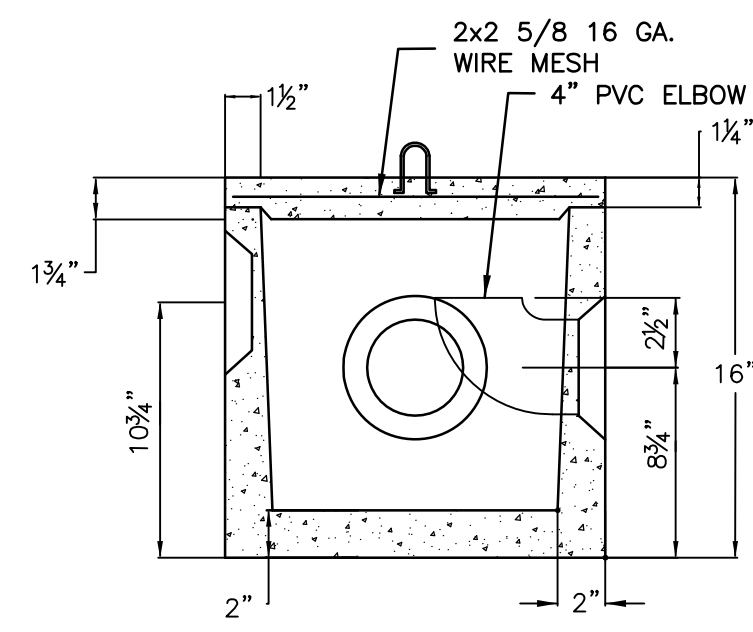


**STANDARD D-BOX DETAIL**  
NOT TO SCALE

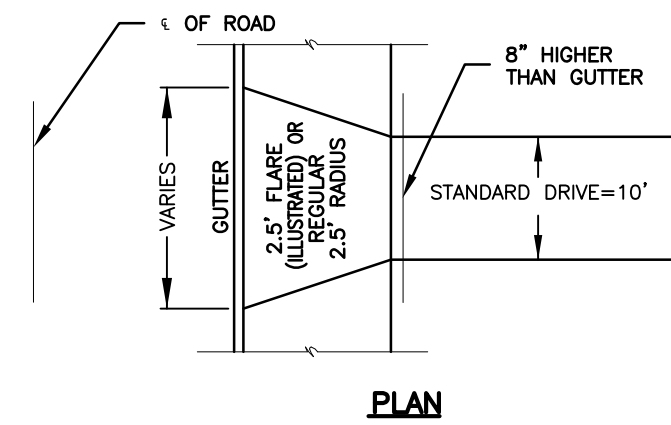


\* INCREASE TO 24\"/>

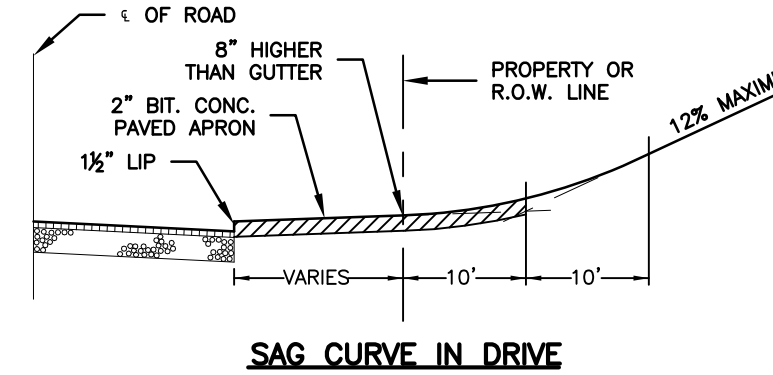
**12\"/>**



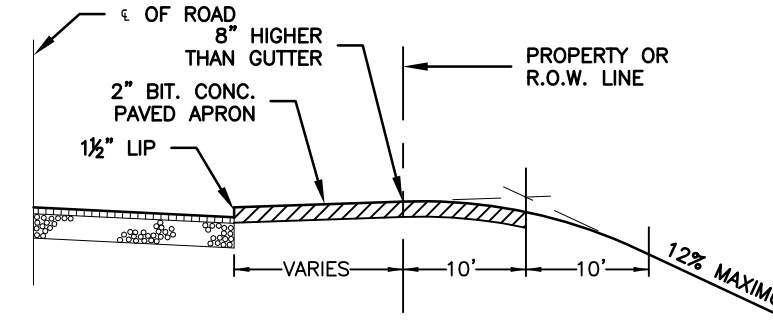
**STANDARD D-BOX WITH ELBOW DETAIL**  
NOT TO SCALE



**PLAN**

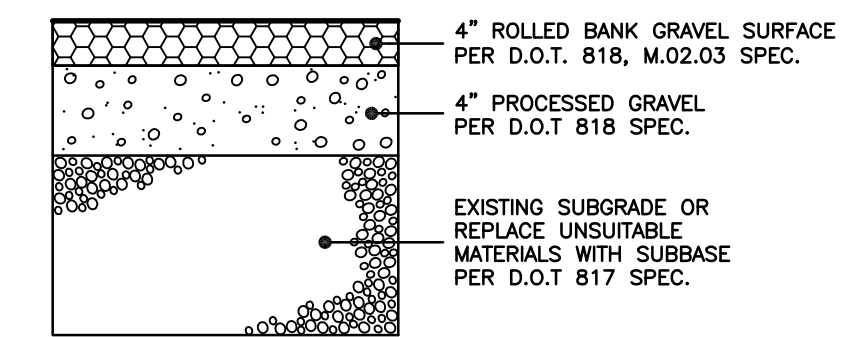


**SAG CURVE IN DRIVE**



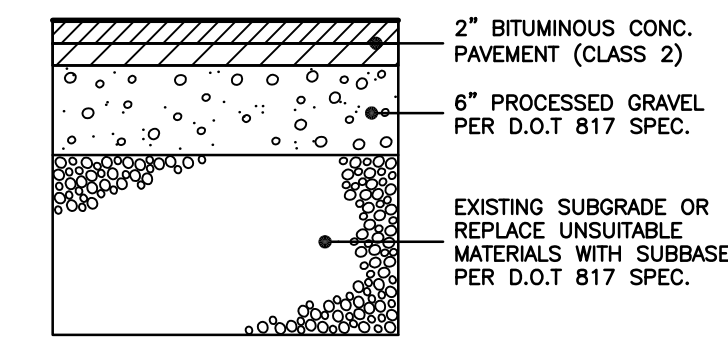
**CREST CURVE IN DRIVE**

**TYPICAL DRIVEWAY DETAILS**  
NOT TO SCALE



- NOTES:
1. PROVIDE CONTINUOUS TACK COAT ALONG EDGE WHEN MATCHING EXISTING PAVEMENT
  2. CONTRACTOR TO PROVIDE COMPACTION ON ALL TRENCH BACKFILLS, EXCAVATIONS AND PAVEMENT BASES TO NOT LESS THAN 95% OF THE DRY DENSITY FOR THAT MATERIAL WHEN TESTED IN ACCORDANCE WITH AASHTO T180, METHOD D

**TYPICAL GRAVEL DRIVEWAY SECTION DETAIL**  
NOT TO SCALE



- NOTES:
1. PROVIDE CONTINUOUS TACK COAT ALONG EDGE WHEN MATCHING EXISTING PAVEMENT
  2. CONTRACTOR TO PROVIDE COMPACTION ON ALL TRENCH BACKFILLS, EXCAVATIONS AND PAVEMENT BASES TO NOT LESS THAN 95% OF THE DRY DENSITY FOR THAT MATERIAL WHEN TESTED IN ACCORDANCE WITH AASHTO T180, METHOD D

**TYPICAL BITUMINOUS DRIVEWAY SECTION DETAIL**  
NOT TO SCALE

		<p align="center"><b>CLA Engineers, Inc.</b> Civil · Structural · Surveying</p> <p align="center">317 Main Street Norwich, CT 06360 (860) 886-1966 Fax (860) 886-9165</p>	
		<p align="center">Subdivision Plan Prepared for Paul R. Lehto #40 Almada Drive, Brooklyn, Connecticut</p>	<p>Project No. CLA-6383 Proj. Engineer K.J.H. Date: 3/31/2021 Sheet No.</p>
<p align="center"><b>Two Lot Resubdivision</b> 40 Almada Drive Brooklyn, Connecticut</p>		<p align="center">Construction Details</p>	
		<p align="center"><b>9</b></p>	